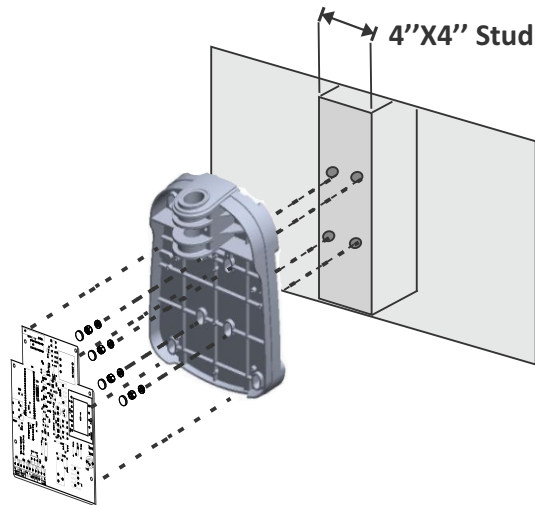


Runyes RAY68 Pre-Installation Guide

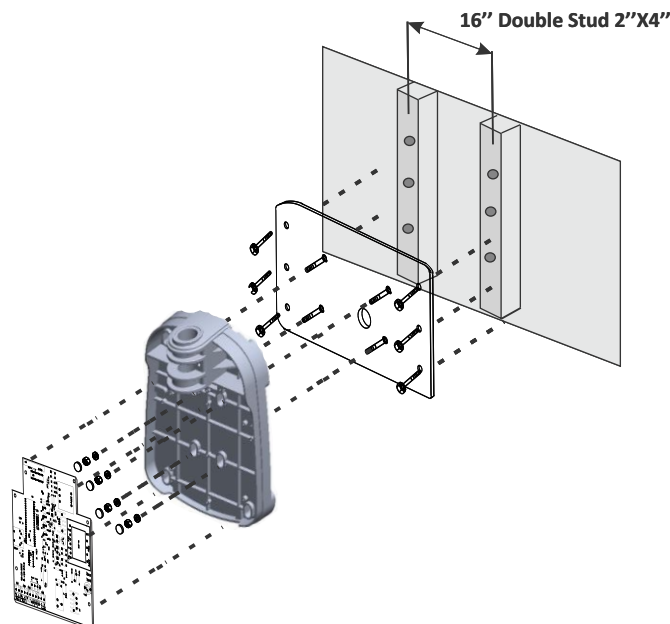
Requirements

1. The RAY68 is designed to mount on single wood 4 x 4 post or equivalent wall support. The system can also be mounted to 2 x 4 wood studs that are spaced 16" on center, using the wall plate adaptor, sold separately. Verifying the wall support capability and the selection of the proper mounting hardware is the responsibility of the installer.

a. Single Mount 4 x 4"

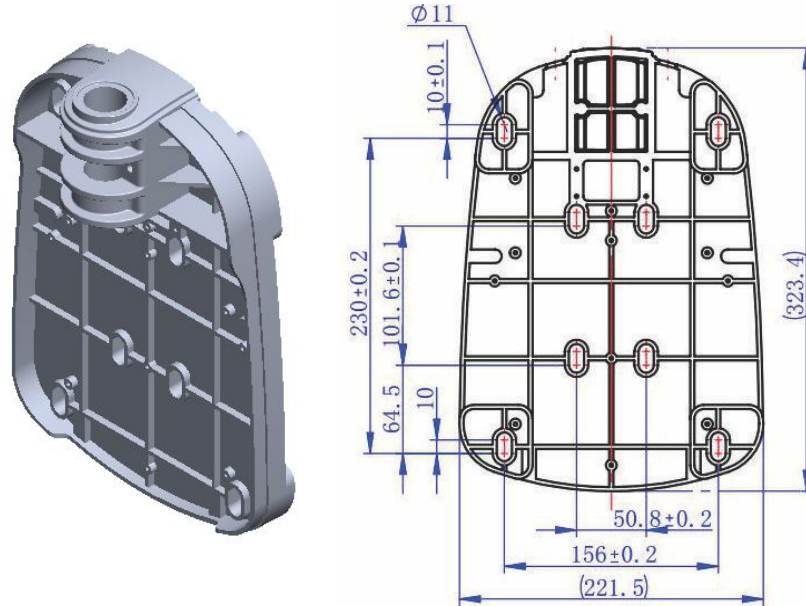


b. Double Stud 16" Mount 4 x 2"

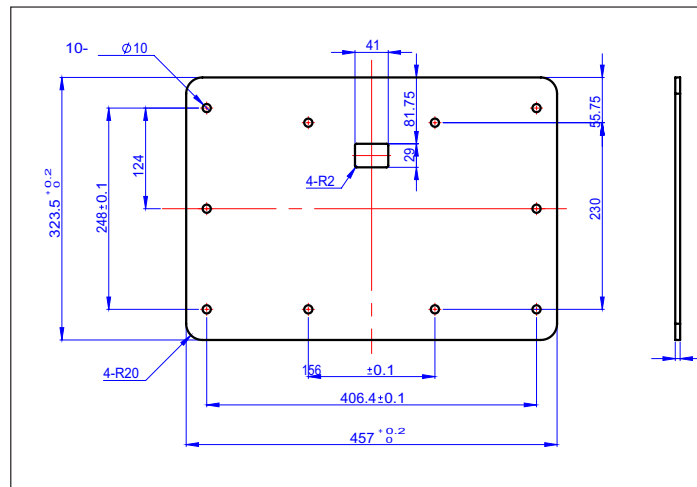
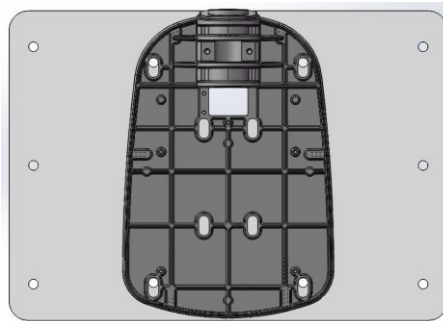


c. Wall Support Dimension (measures in mm):

RAY68 Wall Support

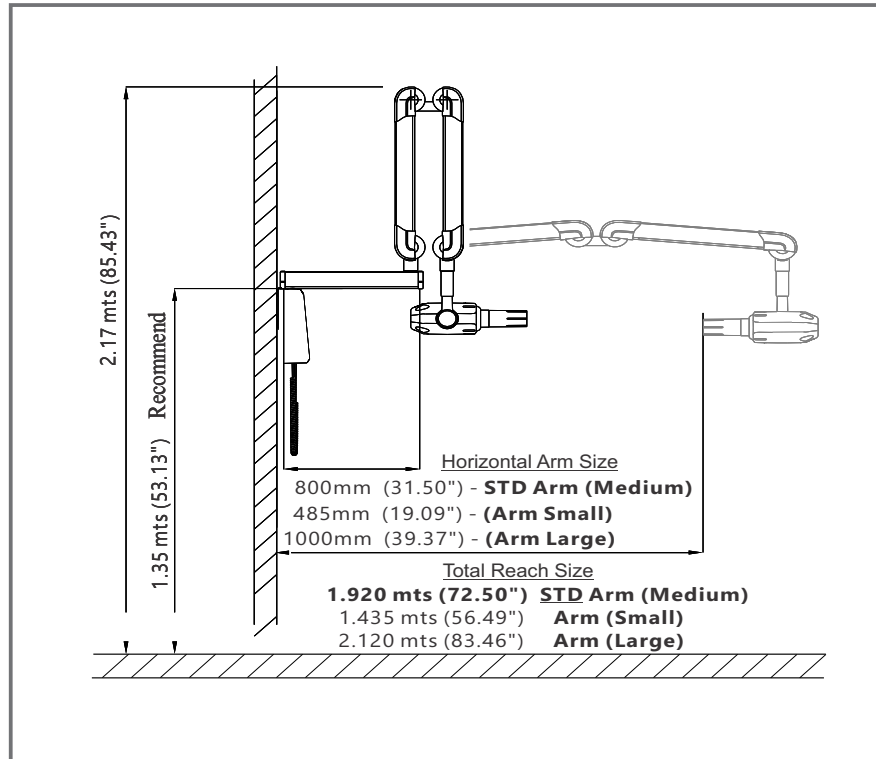


d. Double Stud 16" Wall Plate Adaptor Dimension (measures in mm):

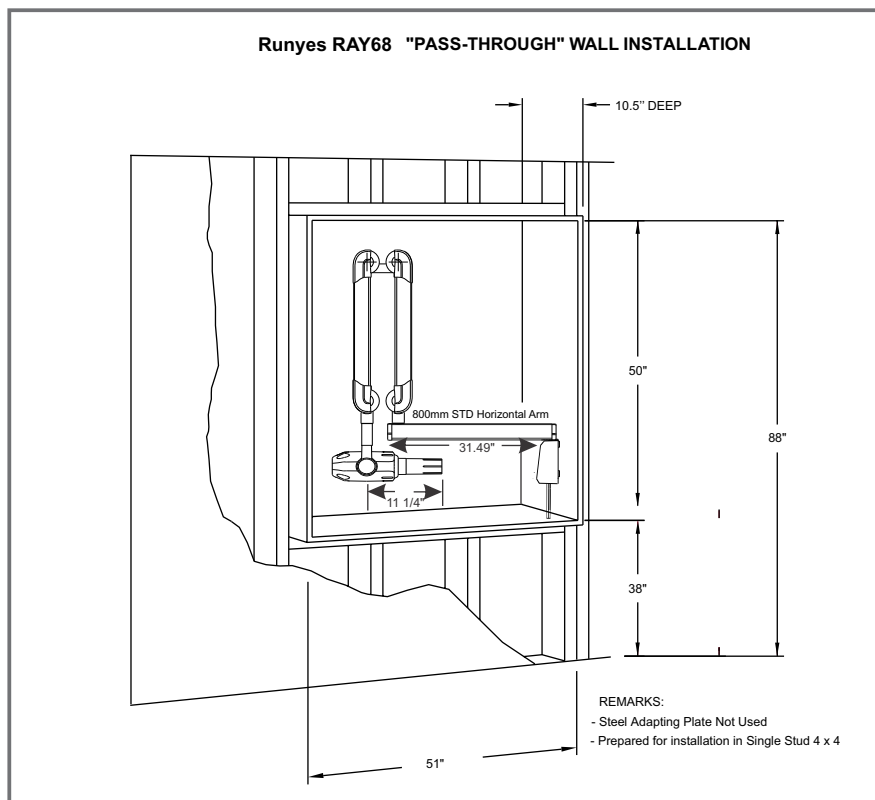


2. Dimension and Reach

a. Dimension



b. Pass-Through Installation



3. Electric Power Requirements

Follow the requirements from the table below, when the technician installing the RAY68:

Electrical Power Requirements	
The system requires a three-wire electrician-supplied power supply. The three-wires provide two power lines (L) Line and (N) Neutral and a (G) Ground. Refer to template for recommended AC main box location.	Line Voltage* 120 VAC ±10%
	Main Fuse 10 AMP
	Circuit Breaker 15 AMP
* Information considered for 120V	
Wire length and gauge requirements Maximum length of wire and minimum gauge wire (AWG) from the power panel box to the Base unit. Accomplish with the local electrical regulations law. Avoid mal function, risks and injuries, using an efficient ground.	0-50 feet 14 gauge minimum 50-100 feet 12 gauge minimum 100-150 feet 10 gauge minimum 150-250 feet 8 gauge minimum 250-400 feet 6 gauge minimum

4. Door Bell Switch Installation

